

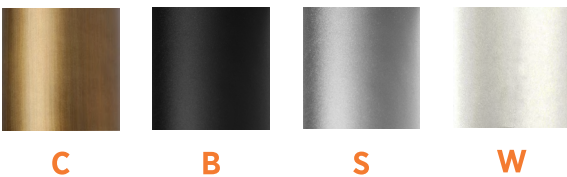


reddot winner 2021

Eclipse is an adjustable, indirect illumination downlight; The hidden source is located in the static blade, shining up on the reflector, while the reflector travels in an orbital movement around the center of the fixture to allow a maximum vertical and horizontal beam tilt and adjustability. Its precise optics allow an outstanding beam control and a quiet transition between horizontal and vertical illumination. It is the ideal solution for applications requiring a hidden light source along with precise optics and extreme adjustability up to 45° in tilt and 360° of beam rotation.

- Up to 1,400lm delivered output
- Completely glare free 100% reflected light
- Available in recessed with trim & trimless, semi-recessed, pendant, millwork and surface mounted
- Adjustable beam tilt up to 45° in any direction (360°)
- Adjustable beam spread from 10° to 30° (narrow reflector), from 40° to 60° (wide reflector)
- Available in 4 standard finishes: Black, white, silver and bronze
- Each reflector can be adjusted independently

## STANDARD FINISHES



## DELIVERED LUMEN OUTPUT PER CELL

Output	Watts	CRI +90		
		2700K	3000K	4000K
L	4W	240 lm	270 lm	300 lm
M	6W	380 lm	425 lm	470 lm

Code example: **E3**-RW-L11R-N927-9

Series	Mounting	Finish	Output	Voltage	Dimming	Housing	Beam	CRI	CCT.	Emergency	
<b>E3</b>	R	Recessed with Trim	W Flat White	L <sup>1</sup> 270 lm (4W)	1 120V	0 Non-Dim	A <sup>4</sup> Airtight Housing	N 10° to 30°	9 +90	27 2700K	N No
	T	Recessed Trimless	B Flat Black	M <sup>1</sup> 425 lm (6W)	U <sup>2</sup> Universal 120V to 277V	1 <sup>3</sup> 0-10V to 1%	I <sup>4</sup> IC Housing	W 40° to 60°		30 3000K	9 90 mins
	S	Semi-Recessed	S Silver			2 0-10V to 0.1%	N <sup>4</sup> Non-IC Housing			35 3500K	
	P	Pendant	C Bronze			P ELV Dimming	R <sup>4</sup> Remodel Housing			40 4000K	
	M	Millwork	X Custom								
	E	Surface Mounted									

Notes:

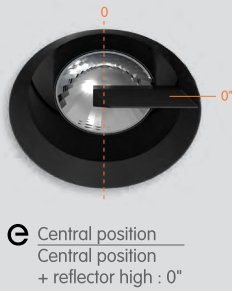
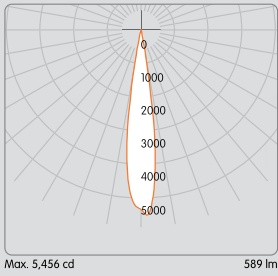
<sup>1</sup> Denotes output at 3000K, unless otherwise noted. Output is per cell.  
<sup>2</sup> Housings are only for recessed mounting.  
<sup>3</sup> Not available for integral surface mounted and pendant versions.  
<sup>4</sup> IC & ICA Housing only for recessed mounting.



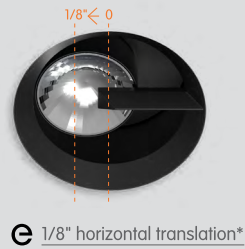
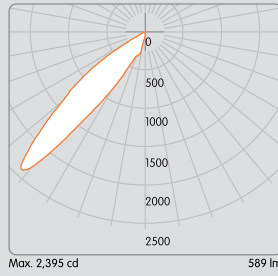
# OPTICAL FLEXIBILITY

## Photometric data: Type C Polar Curves

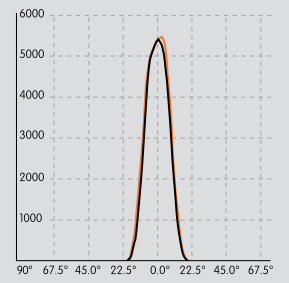
### Narrow Beam



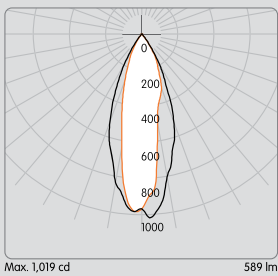
### Narrow Beam - Beam Angle Tilt



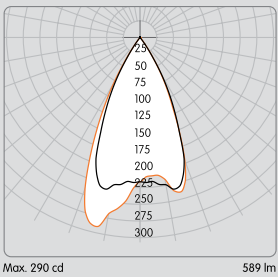
### Cartesian Diagram



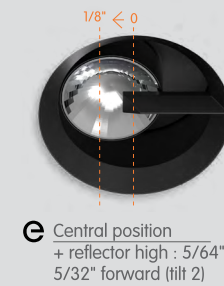
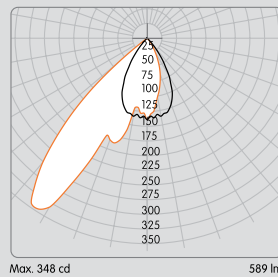
### Medium Beam



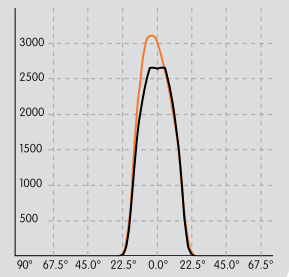
### Wide Beam



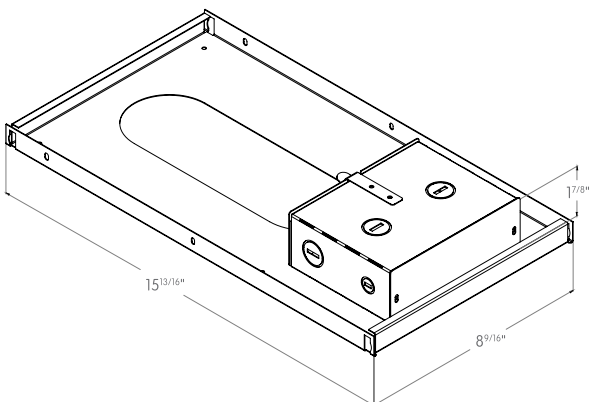
### Wide Beam - Beam Angle Tilt



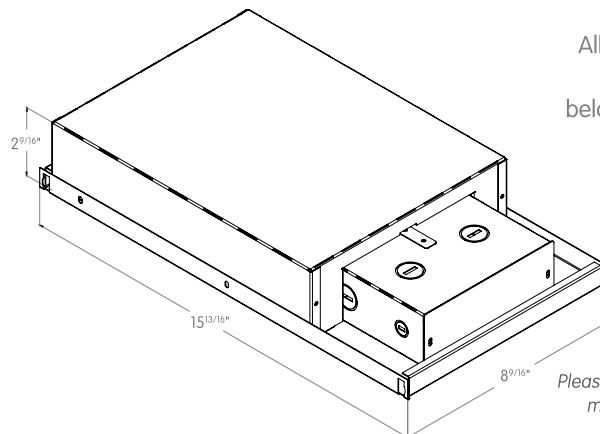
### Cartesian Diagram



## NON-IC HOUSING



## IC HOUSING & AIRTIGHT



All drivers enclosures are for install from below accessible from under the ceiling.


Please refer to the installation manuals for more details.

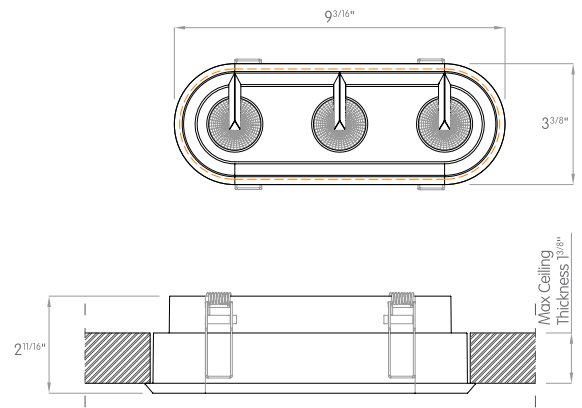


# MOUNTING FLEXIBILITY

## TRIM




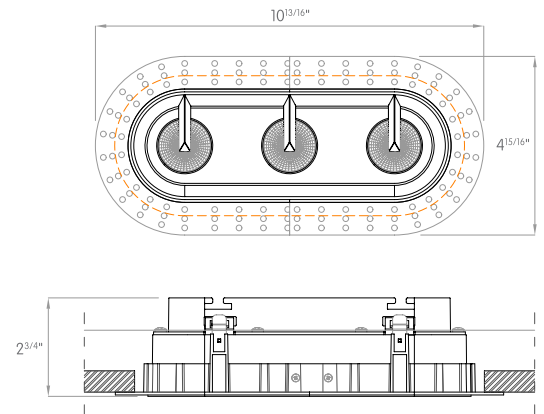
 (8<sup>7</sup>/<sub>8</sub>" x Ø3<sup>1</sup>/<sub>16</sub>" )



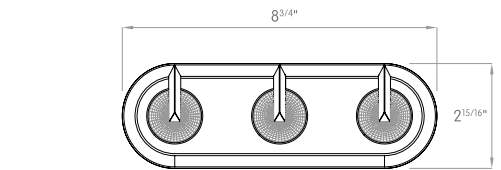
## TRIMLESS



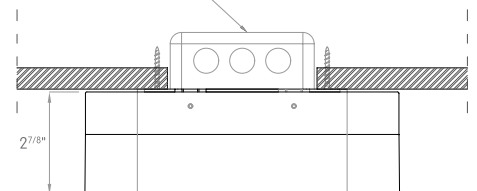
 (9<sup>11</sup>/<sub>16</sub>" x Ø3<sup>7</sup>/<sub>8</sub>" )



## SURFACE MOUNTED



Recommended J-BOX 2" x 4" -  
provided by the contractor

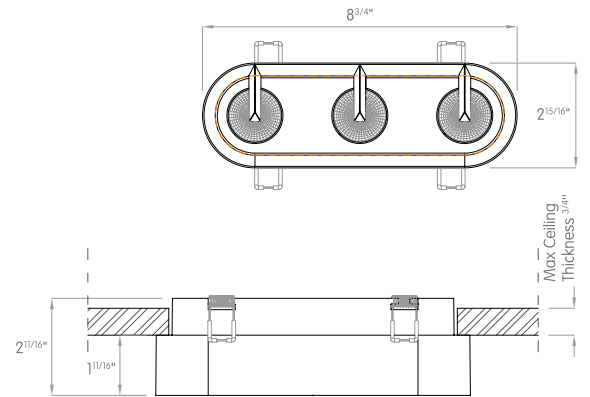


# MOUNTING FLEXIBILITY

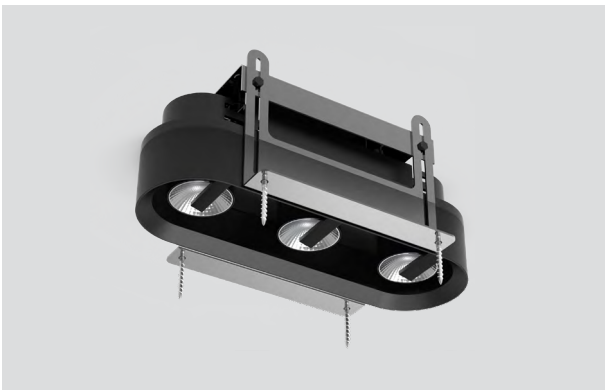
## SURFACE MOUNTED SEMI-RECESSED



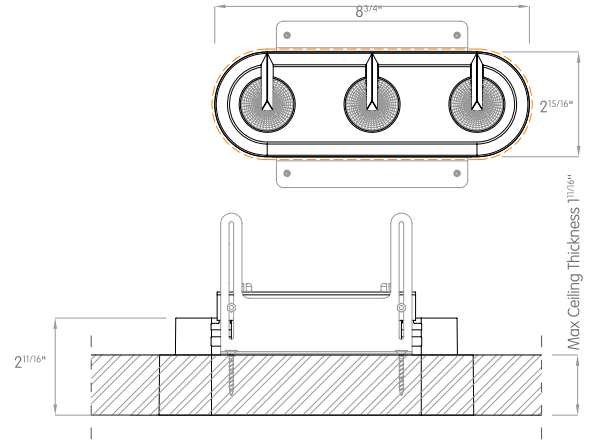
$(8\frac{1}{16}'' \times \text{Ø}2\frac{3}{16}'')$



## MILLWORK



$(8\frac{7}{8}'' \times \text{Ø}3\frac{1}{16}'')$



## PENDANT

